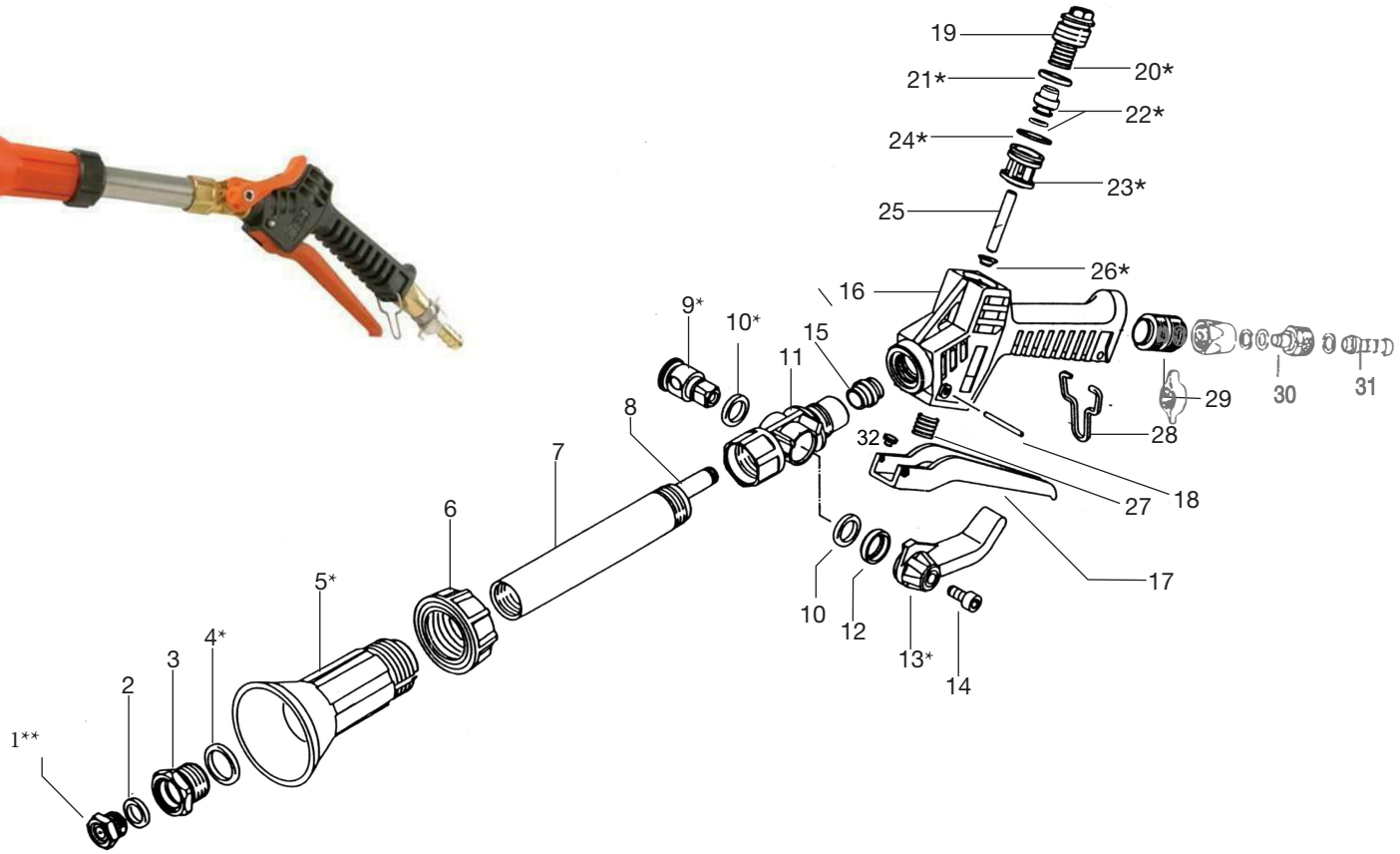




**ANNOVI
REVERBERI**
High Performance Pumps

AGSG-Turbo Spray Gun



Ref No	QTY	Part Number	Description	Ref No	QTY	Part Number	Description
1**	1	AGCN9030	Nozzle Std	17	1	AG29.902.8	Trigger
2	1	AG7.602.1	O-Ring	18	1	AG29.1607.3	Pin
3	1	AG26.1701.10	Nozzle Holder	19	1	AG29.1702.26	Plug
4*	1	AG68.602.10	O-Ring	20*	1	AG29.1003.24	Spring
5*	1	AG26.1707.2	Nozzle Protector	21	1	AG23.602.37	O-Ring
6	1	AG.26.605.50	Locking Ring	22*	1	AG23.1310.5	Seat
7	1	AG26.1703.69	Barrel	23*	1	AG23.1603.36	Valve Retainer
8	1	AG26.1703.55	Strem Straightener	24*	1	AG23.602.36	O-Ring
9*	1	AG26.1304.33	Valve	25	1	AG23.1304.29	Pin
10*	2	AG71.602.6	O-Ring	26*	1	AG23.601.35	Gasket
11	1	AG26.305.3	Body	27	1	AG23.1003.16	Spring
12	1	AG26.1506.14	Spacer	28	1	AG29.507.10	Clip
13*	1	AG26.902.6	Lever – Adjustment	29	1	AG29.1101.1	Adapter
14	1	AG26.1902.20	Bolt	30	1	AG26.1502.45	Swivel
15	1	AG26.801.5	Insert	31	1	AG162.604.17	Hose Barb, Wing Nut, and Gasket
16	1	AG29.208.131	Body	32	1	AG29.801.40	Disc

*AGKIT26.901.4

**Other sizes available